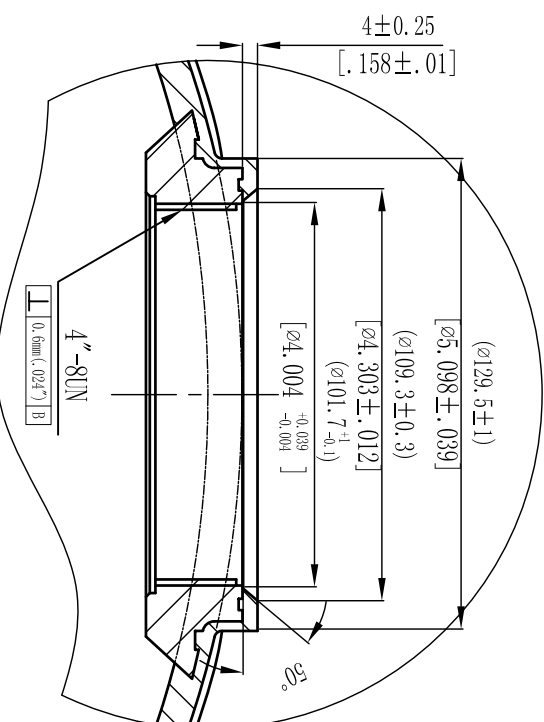


MODEL	A			VOLUME			DOME VOLUME			WEIGHT	
	mm	inch	+/-	liters	U.S. gal	cubic FT	liters	U.S. gal	cubic FT	Kg	LBS
13x44	1274	50.16	6	84.8L	22.40	3.00	4.91	1.30.	0.17	8.84	19.45
13x54	1527	60.12	6	105.7L	27.93	3.73	4.91	1.30.	0.17	11.23	24.71

Part A 1:2



- NOTES:
- TANK MUST MEET ALL APPLICABLE SPECIFICATIONS OF NSF/ANSI 044 STANDARD, LATEST REVISION.
 - OPERATING SPECIFICATIONS:
 - A. MAXIMUM WORKING PRESSURE - 150 PSI (10.5BAR)
 - B. TEMPERATURE RANGE - 34-120° F (1-49°C)
 - C. MAXIMUM VACUUM - 5"Hg (127mm Hg)
 - VISUAL LINER INSPECTION
 - A. NO MORE THAN 10 INTERNAL OR EXTERNAL BLEMISHES OR BURNT DEBRIS.
 - B. NO INTERNAL OR EXTERNAL BLEMISHES OR BURNT DEBRIS LARGER THAN 3×3mm.
 - C. NO INTERNAL BLEMISHES OR BURNT DEBRIS ALLOWED.
 - ALL GLASS STRANDS FROM FIBERGLASS LINER TO BE BONDED AND COVERED.
 - SURFACE TO BE FREE OF NICKS, SCRATCHES, RESIN AND GLASS.
 - DIMENSIONS IN PARENTHESES ARE REFERENCE ONLY.
 - DIMENSIONS IN SQUARE PARENTHESES ARE INCH UNIT.
 - USING A STANDARD LEVEL WITH TANK POSITIONED ON A LEVEL SURFACE, DATUM B TO BE PARALLEL WITH DATUM A. BUBBLE OF LEVEL MUST FALL COMPLETELY WITHIN LINES WHEN MEASURED AT 90° INTERVALS.

1	THIS DRAWING IS UPDATED COMPLYING WITH THE CHINESE VERSION	2009/06/11
VERSION NO.	DESCRIPTION OF CHANGES:	SIGNATURE
REPRESENTATIONAL PLASTIC SHRINKAGE (IF NECESSARY):		DATE
SIGNATURE		
DESIGN	NAME	DATE
INSPECTION		
APPROVAL		
THIS PRODUCT DRAWING CAN NOT BE COPIED AND/OR USED WITHOUT PRIOR WRITTEN APPROVAL OF WAVE CYBER.		
DO NOT MEASURE THE DIMENSIONS.		TOTAL PAGE: 1

WAVE CYBER (SHANGHAI) CO., LTD.

SCALE: 1 : 5
 MATERIAL: FRP
 MODEL: 13"(4-4) FRP PRESSURE VESSEL (DOUBLE OPENING)
 DRAWING NO: 111134-00
 VERSION NO: 1